

# iHFG Standard Components

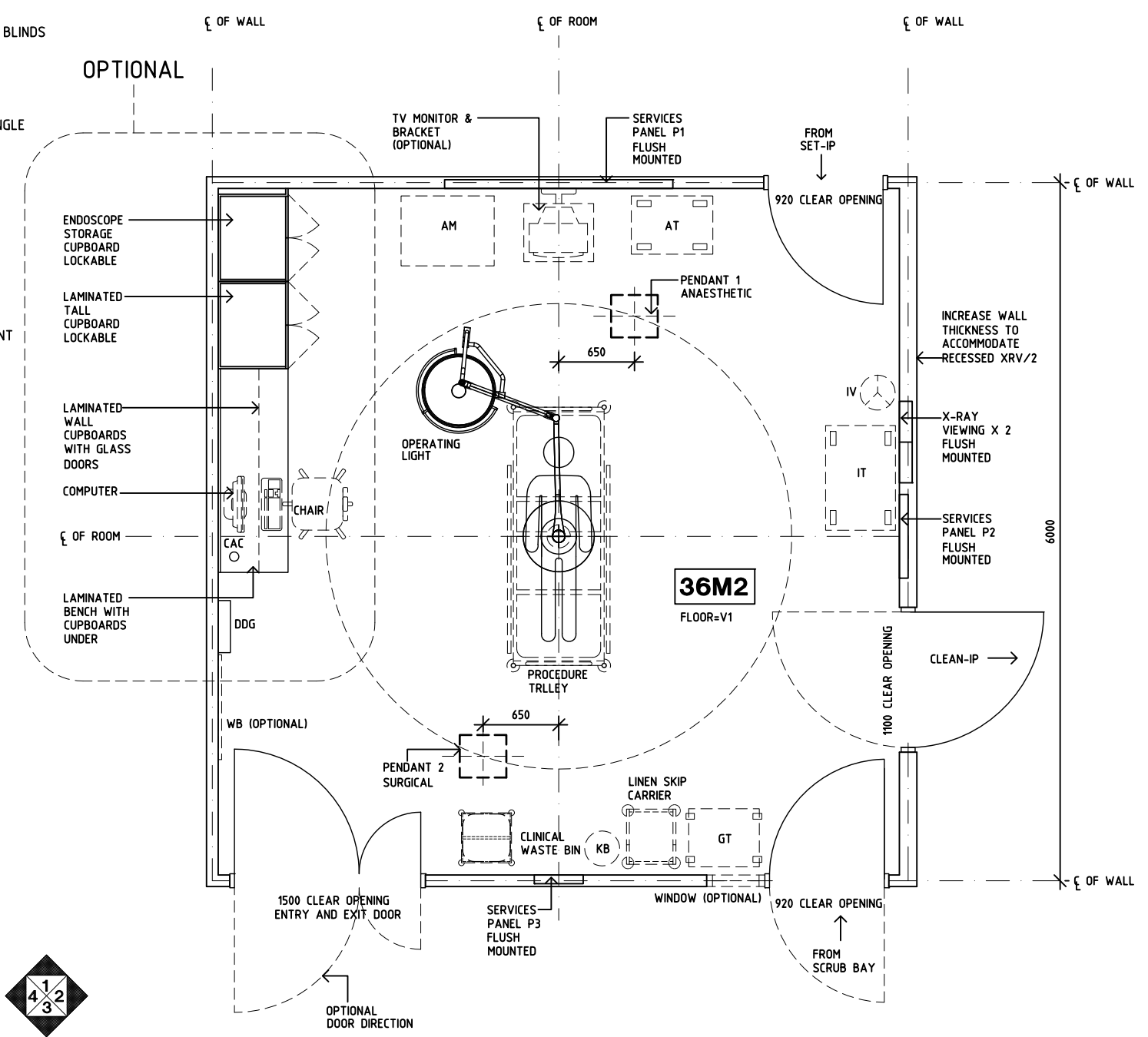
Room Layout Sheet

Room Name **Operating Room - Minor**

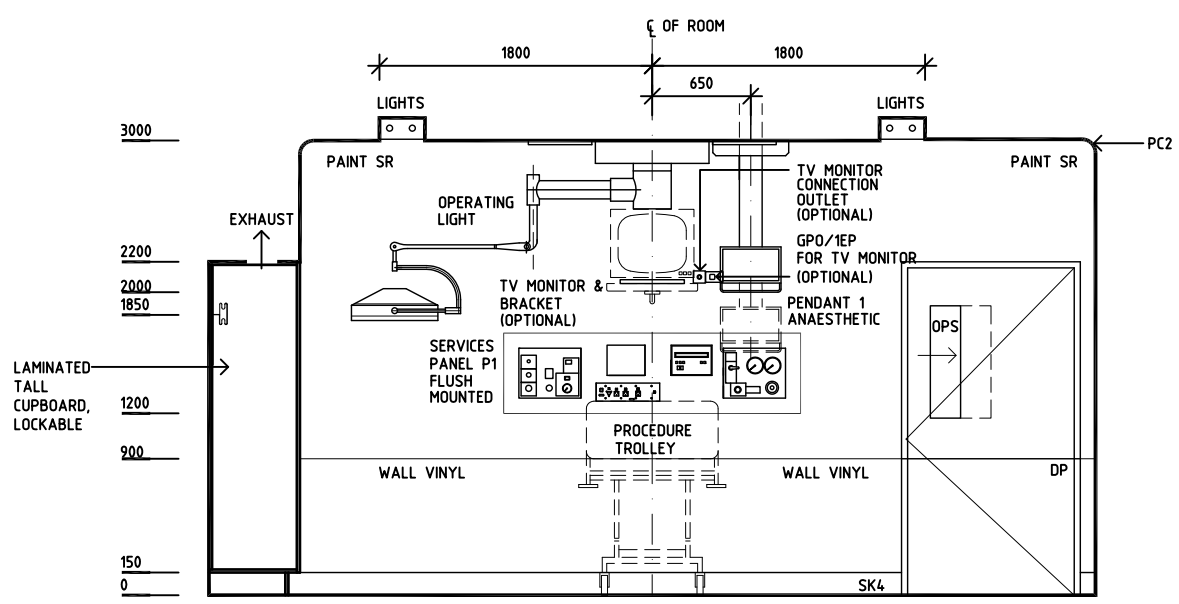
RLS Room Code **ORMS-I**

RDS Room Code **ORMS-I**

- AM ANAESTHETIC MACHINE
  - AT ANAESTHETIC TROLLEY
  - AS ADJUSTABLE SHELF
  - COM/2 COMMUNICATION OUTLET - DOUBLE
  - CAC CABLE ACCESS CAP
  - DGL DOUBLE GLAZED WITH INTEGRAL VENETIAN BLINDS
  - DDG DISPENSER - DISPOSABLE GLOVE
  - DP DOOR AND FRAME PROTECTION
  - ELCB'S EARTH LEAKAGE CIRCUIT BREAKERS
  - EPJ EQUIPOTENTIAL JUNCTION BOX
  - GPO/1 GENERAL POWER OUTLET - SINGLE
  - GPO/1 EP GENERAL POWER OUTLET - EMERGENCY SINGLE
  - GPO/2 GENERAL POWER OUTLET - DOUBLE
  - GPO/C GENERAL POWER OUTLET - CLEANER'S
  - GT GOWNING TROLLEY
  - IV INTRAVENOUS STAND
  - IT INSTRUMENT TROLLEY
  - KB KICK BUCKET
  - OPS OBSERVATION PANEL WITH SLIDING PANEL
  - PC2 PLASTERBOARD CORNICE, FLUSH COVERED
  - RCD RESIDUAL CURRENT DEVICE
  - SK4 FLOOR VINYL COVERED SKIRTING
  - SR SCRUB RESISTANT
  - TV TELEVISION
  - V1 VINYL FLOORING, STANDARD SLIP RESISTANT
  - WB WHITEBOARD
- 
- SERVICES PANEL P1 GPO/1 EP X 4  
RCD  
SURGICAL TOOL AIR & CONTROL PANEL  
TOURNIQUET AIR AND CONTROL PANEL  
GAS ALARM MONITOR  
EPJ PANEL
  - SERVICES PANEL P2 CLOCKS CONTROLS  
GPO/1 X 2  
RCD  
LIGHT SWITCHES  
OPERATING LIGHT CONTROLS
  - SERVICES PANEL P3 NURSE/STAFF ASSIST CALL  
PORTER CALL (OPTIONAL)  
EMERGENCY CALL  
LASER-IN-USE INDICATOR  
GPO/1 X 1  
RCD
  - PENDANT 1 ANAESTHETIC COM/2  
GPO/1 X 4  
GPO/1 EP X 4  
OXYGEN x 2  
RCD  
NITROUS OXIDE x 1  
MEDICAL AIR x 1  
SUCTION X 2  
SCAVENGE x 1
  - PENDANT 2 SURGICAL COM/2  
GPO/1 X 4  
GPO/1 EP X 4  
RCD  
OXYGEN x 2  
NITROUS OXIDE x 1  
MEDICAL AIR x 1  
SUCTION X 2  
SCAVENGE x 1



**PLAN**



**ELEVATION 1**

REV	DESCRIPTION	DATE	BY	REV	DESCRIPTION	DATE	BY	REV	DESCRIPTION	DATE	BY
1	FIRST ISSUE	24.10.10	LL	4	GENERAL REVISION	26.10.15	PJ				
2	GENERAL REVISION	30.08.11	SD								
3	GENERAL REVISION	31.10.12	CT								

**International Health Facility Guidelines**

International Health Facility Guidelines at:  
www.healthdesign.com.au/iHFG  
Editable version of Standard Components on  
Health Facility Briefing System (HFBS) at:  
www.healthdesign.com.au  
©TAHPI

DESIGNED	APPROVED	DATE	SCALE(S)	SHEET
CC	DB	24.10.10	1:50 in A3	1 of 3
CAD FILE NAME		PAPER DRAWING ID	ISSUE	
ORMS-I		ORMS-Ia	3	

This document is for advisory purpose only

# iHFG Standard Components

Room Layout Sheet

Room Name **Operating Room - Minor**

RLS Room Code **ORMS-I**

RDS Room Code **ORMS-I**

- AM ANAESTHETIC MACHINE
- AT ANAESTHETIC TROLLEY
- AS ADJUSTABLE SHELF
- COM/2 COMMUNICATION OUTLET - DOUBLE
- CAC CABLE ACCESS CAP
- DGL DOUBLE GLAZED WITH INTEGRAL VENETIAN BLINDS
- DDG DISPENSER - DISPOSABLE GLOVE
- DP DOOR AND FRAME PROTECTION
- ELCB'S EARTH LEAKAGE CIRCUIT BREAKERS
- EPJ EQUIPOTENTIAL JUNCTION BOX
- GPO/1 GENERAL POWER OUTLET - SINGLE
- GPO/1 EP GENERAL POWER OUTLET - EMERGENCY SINGLE
- GPO/2 GENERAL POWER OUTLET - DOUBLE
- GPO/C GENERAL POWER OUTLET - CLEANER'S
- GT GOWNING TROLLEY
- IV INTRAVENOUS STAND
- IT INSTRUMENT TROLLEY
- KB KICK BUCKET
- OPS OBSERVATION PANEL WITH SLIDING PANEL
- PC2 PLASTERBOARD CORNICE, FLUSH COVERED
- RCD RESIDUAL CURRENT DEVICE
- SK4 FLOOR VINYL COVERED SKIRTING
- SR SCRUB RESISTANT
- TV TELEVISION
- V1 VINYL FLOORING, STANDARD SLIP RESISTANT
- WB WHITEBOARD

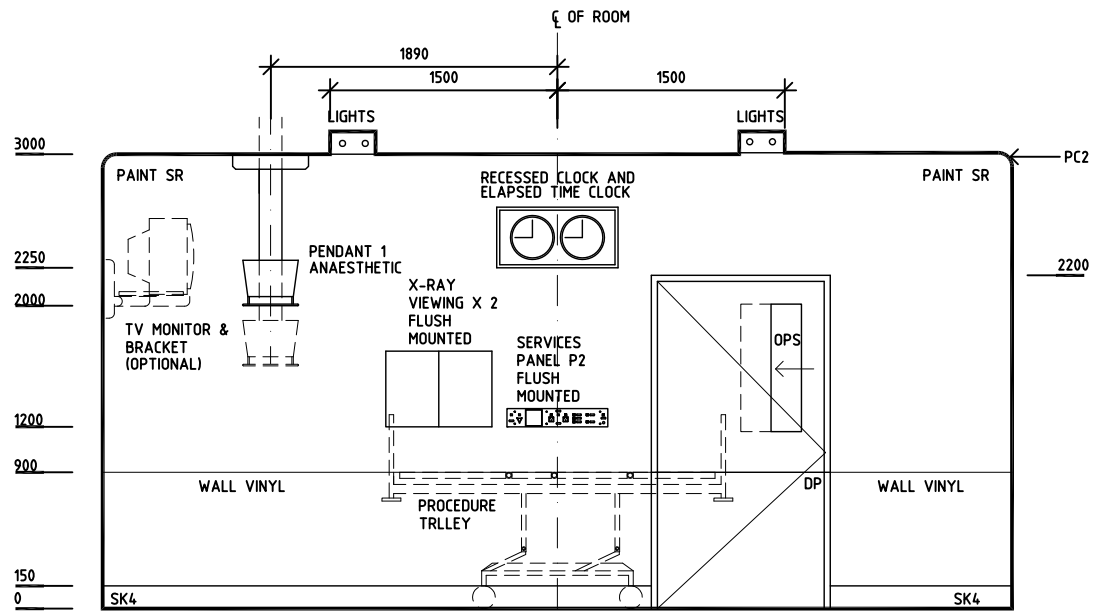
- SERVICES PANEL P1
- GPO/1 EP X 4
  - RCD
  - SURGICAL TOOL AIR & CONTROL PANEL
  - TOURNIQUET AIR AND CONTROL PANEL
  - GAS ALARM MONITOR
  - EPJ PANEL

- SERVICES PANEL P2
- CLOCKS CONTROLS
  - GPO/1 X 2
  - RCD
  - LIGHT SWITCHES
  - OPERATING LIGHT CONTROLS

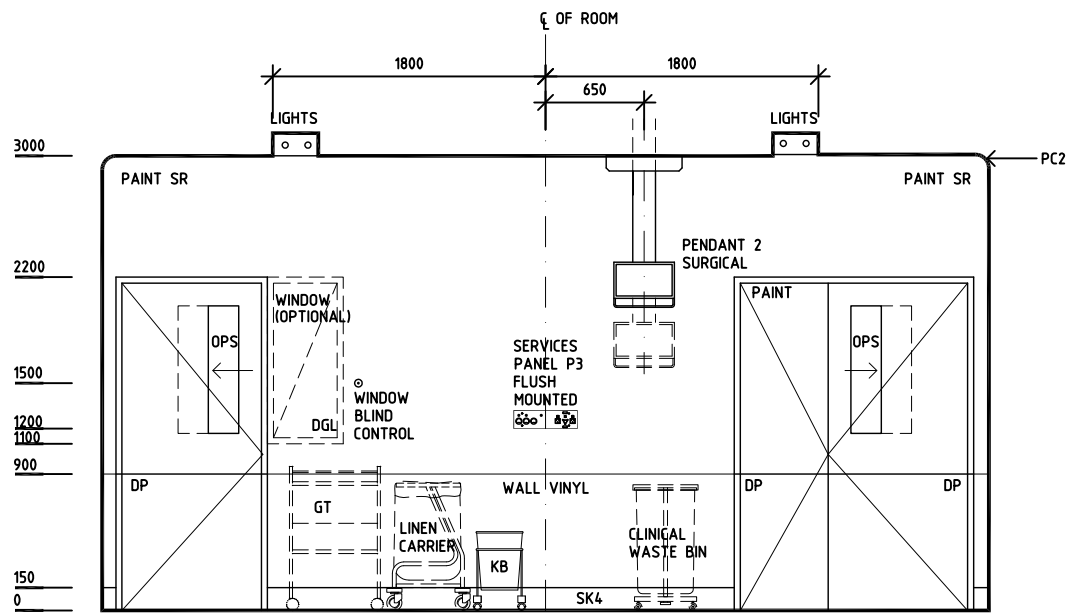
- SERVICES PANEL P3
- NURSE/STAFF ASSIST CALL
  - PORTER CALL (OPTIONAL)
  - EMERGENCY CALL
  - LASER-IN-USE INDICATOR
  - GPO/1 X 1
  - RCD

- PENDANT 1 ANAESTHETIC
- COM/2
  - GPO/1 X 4
  - GPO/1 EP X 4
  - OXYGEN x 2
  - RCD
  - NITROUS OXIDE x 1
  - MEDICAL AIR x 1
  - SUCTION X 2
  - SCAVENGE x 1

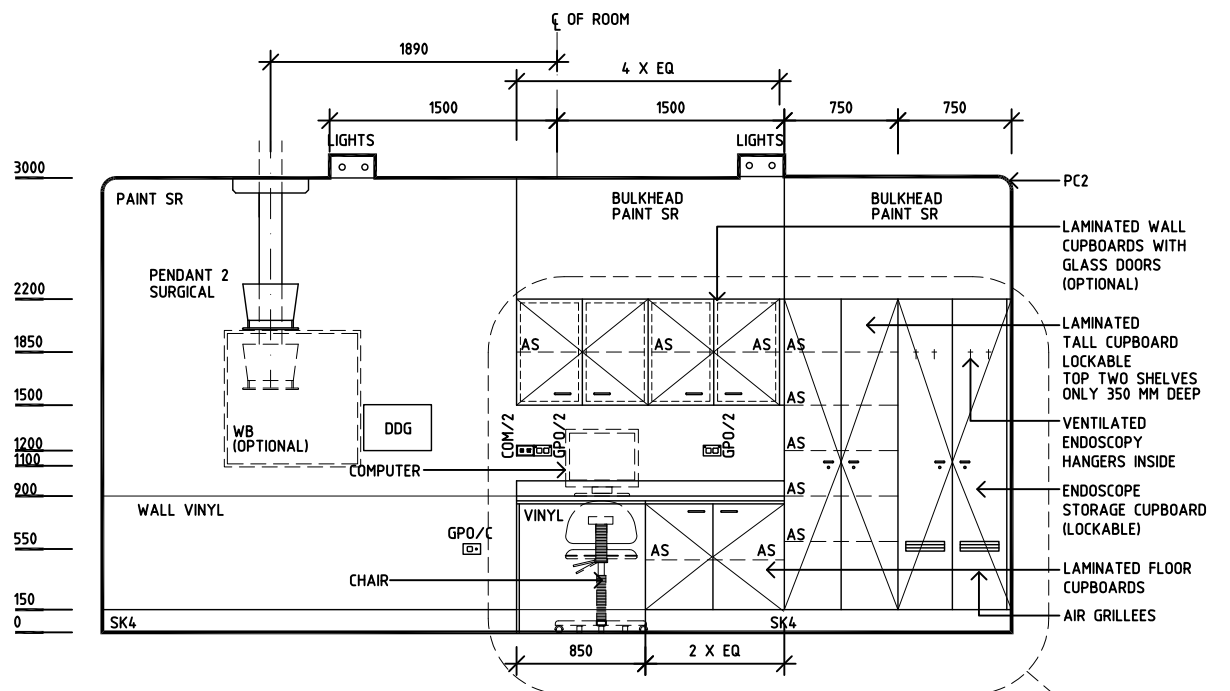
- PENDANT 2 SURGICAL
- COM/2
  - GPO/1 X 4
  - GPO/1 EP X 4
  - RCD
  - OXYGEN x 2
  - NITROUS OXIDE x 1
  - MEDICAL AIR x 1
  - SUCTION X 2
  - SCAVENGE x 1



**ELEVATION 2**



**ELEVATION 3**



**ELEVATION 4**

OPTIONAL

REV	DESCRIPTION	DATE	BY	REV	DESCRIPTION	DATE	BY	REV	DESCRIPTION	DATE	BY
1	FIRST ISSUE	24.10.10	LL	4	GENERAL REVISION	26.10.15	PJ				
2	GENERAL REVISION	30.08.11	SD								
3	GENERAL REVISION	31.10.12	CT								

# iHFG Standard Components

Room Layout Sheet

Room Name **Operating Room - Minor**

RLS Room Code **ORMS-I**

RDS Room Code **ORMS-I**

**GENERAL NOTES:**

THIS DRAWING TO BE READ IN CONJUNCTION WITH R.D.S. (ROOM DATA SHEETS) WHICH TAKES PRECEDENCE.

ALL SERVICES INDICATED ARE INDICATIVE AND SUBJECTED TO DETAILED PROJECT SPECIFIC ENGINEERING DESIGN.

**CEILING LEGEND:**


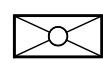
- PB PLASTERBOARD FLUSH SET CEILING, PAINT
- PBB PLASTERBOARD BULKHEAD, PAINT
- PC2 90mm. PLASTERBOARD CORNICE, FLUSH COVERED GRID LINE

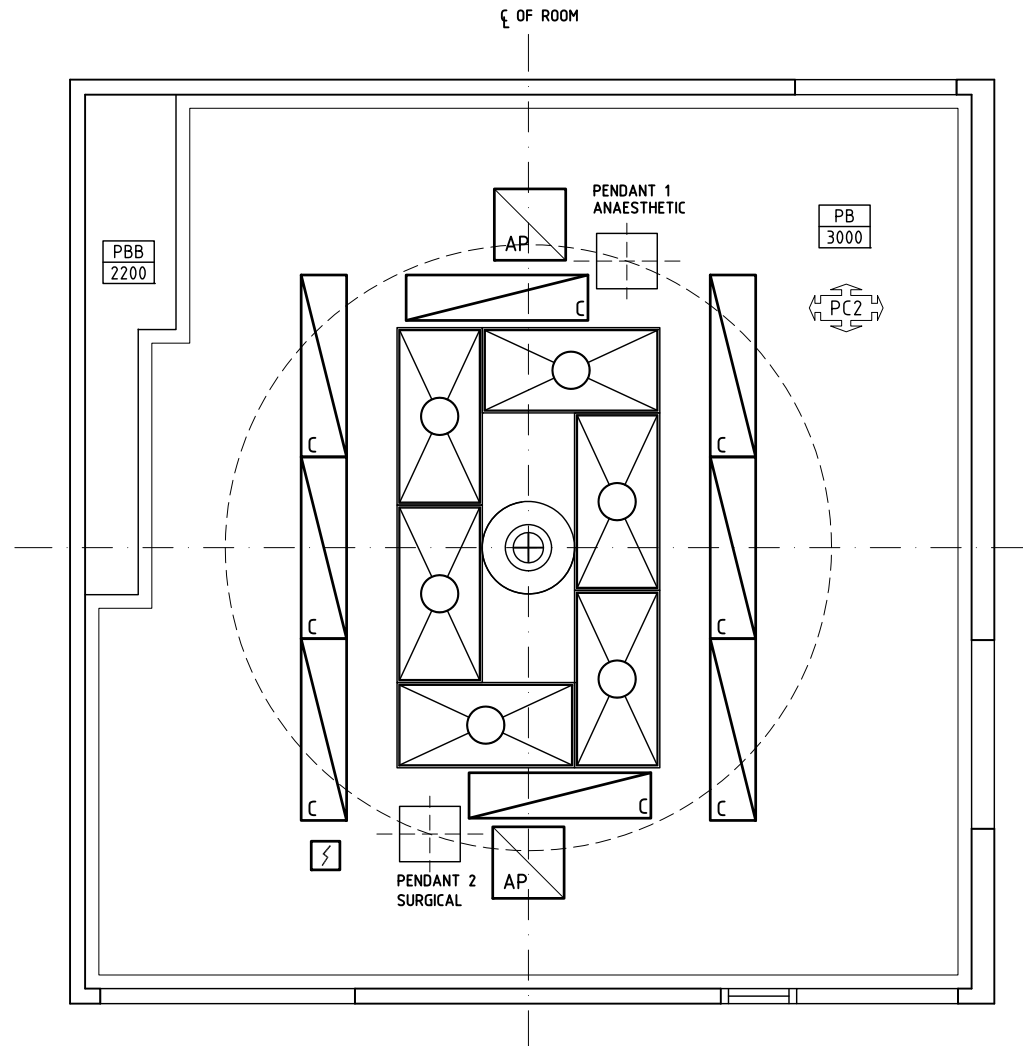
-  CEILING TYPE
-  HEIGHT ABOVE F.F.L.

**ELECTRICAL LEGEND:**

-  FLUORESCENT DIFFUSED - RECESSED
-  COLOUR CORRECTED - CYANOSIS

**MECHANICAL LEGEND:**

-  ACCESS PANEL
-  HEPA FILTER GRILL



**REFLECTED CEILING PLAN**

REV	DESCRIPTION	DATE	BY	REV	DESCRIPTION	DATE	BY	REV	DESCRIPTION	DATE	BY
2	GENERAL REVISION	30.08.11	SD	4	GENERAL REVISION	26.10.15	PJ				
3	GENERAL REVISION	31.10.12	CT								



The International Health Facility Guidelines recommends the use of HFBS “Health Facility Briefing System” to edit all room data sheet information for your project.

HFBS provides edit access to all iHFG standard rooms, and departments, and more than 100 custom report templates.

## HFBS Health Facility Briefing System



### Briefing Module

The Health Facility Briefing System (HFBS) has numerous modules available via annual subscription. It suits healthcare Architects, Medical Planners, Equipment Planners Project Managers and Health Authorities.

Use the HFBS Briefing Module to quickly drag in health facility departments or pre-configured room templates from the iHFG standard, edit the room features such as finishes, furniture, fittings, fixtures, medical equipment, engineering services. The system can print or download as PDF more than 100 custom reports including room data sheets, schedules, and more...

To learn more about the HFBS web-based Healthcare Briefing and Design Software and to obtain editable versions of the “Standard Components” including Room Data Sheets (RDS) and Room Layout Sheets (RLS) offered on the iHFG website, signup for HFBS using the link below.

**Get Started Now:**  
[hfbs.healthdesign.com.au](http://hfbs.healthdesign.com.au)

- ✓ iHFG Room Data Sheets and Departments are instantly editable in the HFBS software available online.
- ✓ You can access hundreds of report templates to print your iHFG room data in HFBS.
- ✓ HFBS has a onetime free 3 day trial available to all new users.

**Get Started Now:**  
[hfbs.healthdesign.com.au](http://hfbs.healthdesign.com.au)



## HFBS

Health Facility Briefing System

[hfbsinfo.com](http://hfbsinfo.com) | [techsupport@healthdesign.com.au](mailto:techsupport@healthdesign.com.au)