

iHFG Standard Components

Room Layout Sheet

Room Name **Bay - Emergency Shower & Eyewash, 1m2**

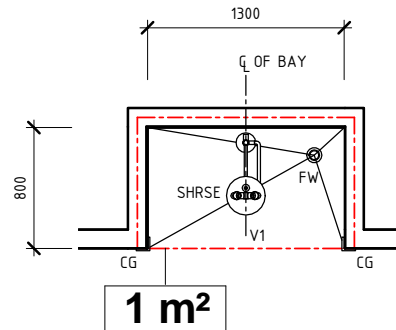
RLS Room Code

bese-1-i

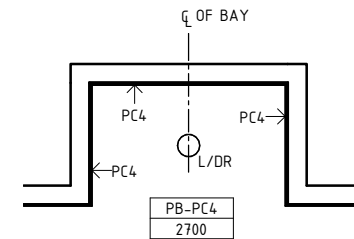
RDS Room Code

bese-1-i

CG	CORNER GUARD
FW	FLOOR WASTE
L/DR	LIGHT - DOWNLIGHT, RECESSED
PB	PLASTERBOARD FLUSH SET CEILING, PAINT FINISH
PC4	POWDERCOAT ALUMINIUM CORNICE, SHADOW LINE
SHRSE	SHOWER - SAFETY/ EYEWASH
SK4	FLOOR VINYL COVERED SKIRTING
V1	VINYL FLOORING, STANDARD SLIP RESISTANT
WV	WALL VINYL



PLAN



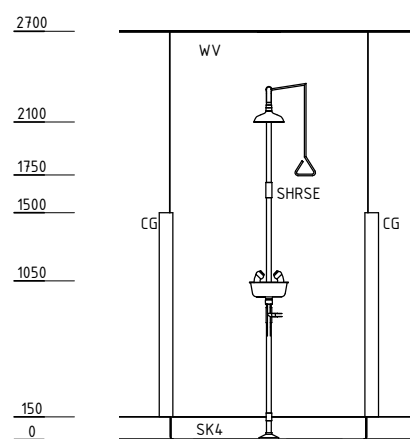
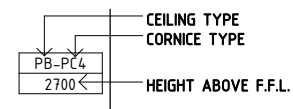
REFLECTED CEILING PLAN

GENERAL NOTES:

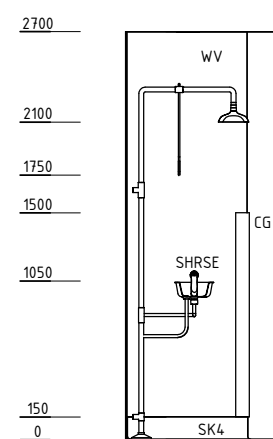
THIS DRAWING TO BE READ IN CONJUNCTION WITH R.D.S. (ROOM DATA SHEETS) WHICH TAKES PRECEDENCE.

ALL SERVICES INDICATED ARE INDICATIVE AND SUBJECTED TO DETAILED PROJECT SPECIFIC ENGINEERING DESIGN.

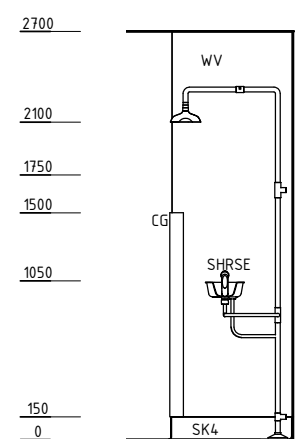
CEILING LEGEND:



ELEVATION 1



ELEVATION 2



ELEVATION 3



ISOMETRIC VIEW



PERSPECTIVE VIEW

REV	DESCRIPTION	DATE	BY	REV	DESCRIPTION	DATE	BY	COMPATIBILITY																				
1	FIRST ISSUE	21.09.16	JR					iHFG AHFG FGI HBN HTM HAAD																				
								<table border="1"> <tr> <th>DESIGNED</th> <th>APPROVED</th> <th>DATE</th> <th>SCALE(S)</th> <th>SHEET</th> </tr> <tr> <td>JR</td> <td>DB</td> <td>26.07.16</td> <td>1 : 50</td> <td>1 OF 1</td> </tr> <tr> <th>REVIT FILE NAME</th> <th>PAPER DRAWING ID</th> <th colspan="3">ISSUE</th> </tr> <tr> <td>bese-1-i</td> <td>bese-1-i-1</td> <td colspan="3">1</td> </tr> </table>	DESIGNED	APPROVED	DATE	SCALE(S)	SHEET	JR	DB	26.07.16	1 : 50	1 OF 1	REVIT FILE NAME	PAPER DRAWING ID	ISSUE			bese-1-i	bese-1-i-1	1		
DESIGNED	APPROVED	DATE	SCALE(S)	SHEET																								
JR	DB	26.07.16	1 : 50	1 OF 1																								
REVIT FILE NAME	PAPER DRAWING ID	ISSUE																										
bese-1-i	bese-1-i-1	1																										



The International Health Facility Guidelines recommends the use of HFBS “Health Facility Briefing System” to edit all room data sheet information for your project.

HFBS provides edit access to all iHFG standard rooms, and departments, and more than 100 custom report templates.

HFBS Health Facility Briefing System



Briefing Module

The Health Facility Briefing System (HFBS) has numerous modules available via annual subscription. It suits healthcare Architects, Medical Planners, Equipment Planners Project Managers and Health Authorities.

Use the HFBS Briefing Module to quickly drag in health facility departments or pre-configured room templates from the iHFG standard, edit the room features such as finishes, furniture, fittings, fixtures, medical equipment, engineering services. The system can print or download as PDF more than 100 custom reports including room data sheets, schedules, and more...

To learn more about the HFBS web-based Healthcare Briefing and Design Software and to obtain editable versions of the “Standard Components” including Room Data Sheets (RDS) and Room Layout Sheets (RLS) offered on the iHFG website, signup for HFBS using the link below.

Get Started Now:
hfbs.healthdesign.com.au

- ✓ iHFG Room Data Sheets and Departments are instantly editable in the HFBS software available online.
- ✓ You can access hundreds of report templates to print your iHFG room data in HFBS.
- ✓ HFBS has a onetime free 3 day trial available to all new users.

Get Started Now:
hfbs.healthdesign.com.au



HFBS

Health Facility Briefing System

hfbsinfo.com | techsupport@healthdesign.com.au