

iHFG Standard Components

Room Layout Sheet

Room Name **Operating Room - General**

RLS Room Code **ORGN-I**

RDS Room Code **ORGN-I**

- AM ANAESTHETIC MACHINE
- AT ANAESTHETIC TROLLEY
- BS BOWL STAND
- COM/2 COMMUNICATION OUTLET - DOUBLE
- DIA DIATHERMY
- DGL DOUBLE GLAZED WITH INTEGRAL VENETIAN BLINDS
- DDG DISPENSER - DISPOSABLE GLOVE
- DP DOOR AND FRAME PROTECTION
- EPJ EQUIPOTENTIAL JUNCTION BOX
- GPO/1 GENERAL POWER OUTLET - SINGLE
- GPO/1 EP GENERAL POWER OUTLET - EMERGENCY SINGLE
- GPO/2 GENERAL POWER OUTLET - DOUBLE
- GPO/C GENERAL POWER OUTLET - CLEANER'S
- GT GOWNING TROLLEY
- IV INTRAVENOUS STAND
- IT INSTRUMENT TROLLEY
- KB KICK BUCKET
- MT MAYO TABLE
- OPS OBSERVATION PANEL WITH SLIDING PANEL
- PC2 PLASTERBOARD CORNICE, FLUSH COVERED
- RA RETURN AIR
- RCD RESIDUAL CURRENT DEVICE
- SK4 FLOOR VINYL COVERED SKIRTING
- SR SCRUB RESISTANT
- ST STOOL
- V1 VINYL FLOORING, STANDARD SLIP RESISTANT
- WB WHITEBOARD

SERVICES PANEL P1

- GPO/1 EP X 3
- RCD
- SURGICAL TOOL AIR CONTROL PANEL
- TOURNIQUET AIR & CONTROL PANEL
- GAS ALARM MONITOR
- EPJ PANEL

SERVICES PANEL P2

- CLOCKS CONTROLS
- GPO/1 X 2
- RCD
- LIGHT SWITCHES
- OPERATING LIGHT CONTROLS

SERVICES PANEL P3

- GPO/1 X 1
- GPO 20AMP (OPTIONAL)
- RCD

SERVICES PANEL P4

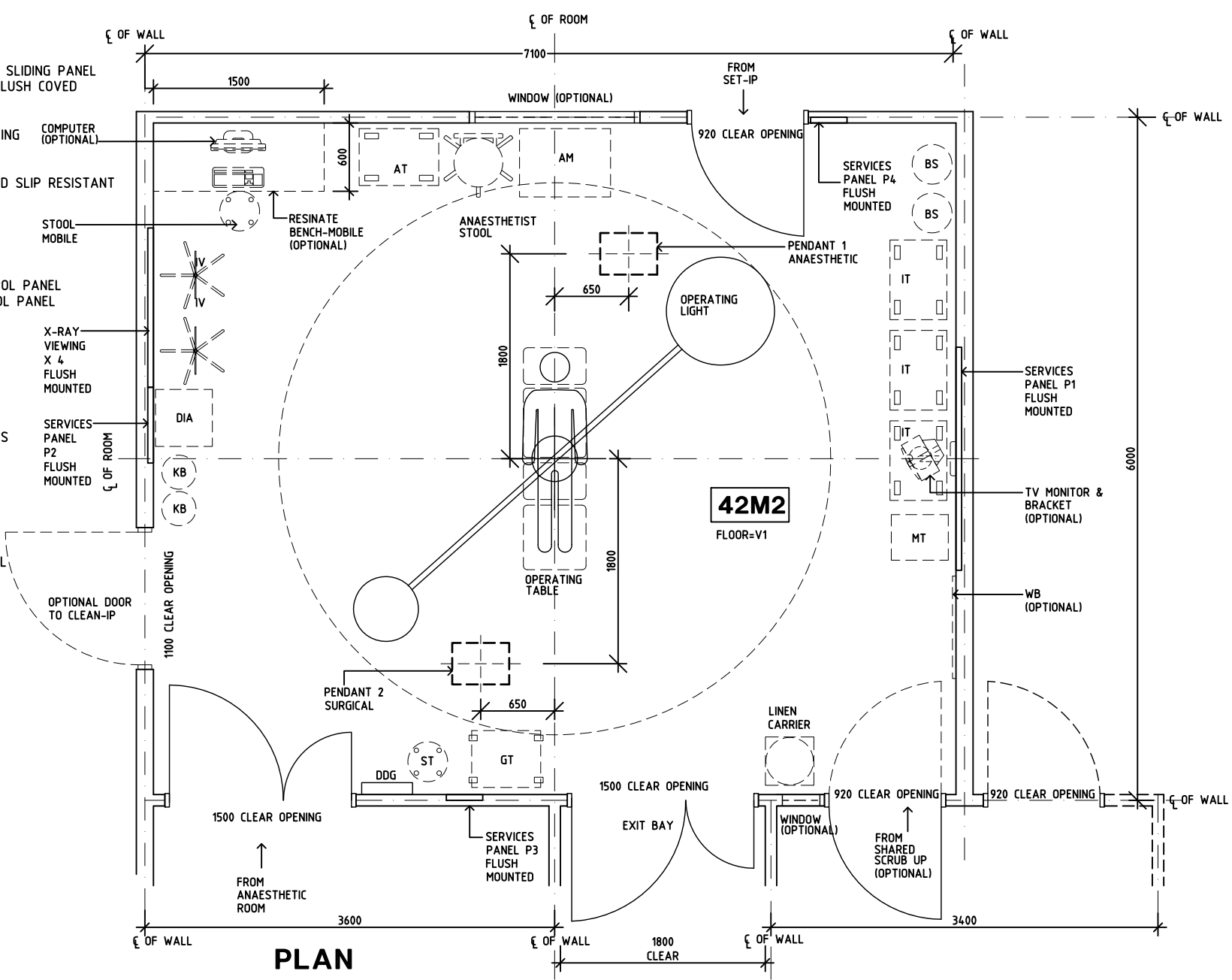
- NURSE/STAFF ASSIST CALL
- PORTER CALL (OPTIONAL)
- EMERGENCY CALL
- LASER-IN-USE INDICATOR

PENDANT 1 ANAESTHETIC

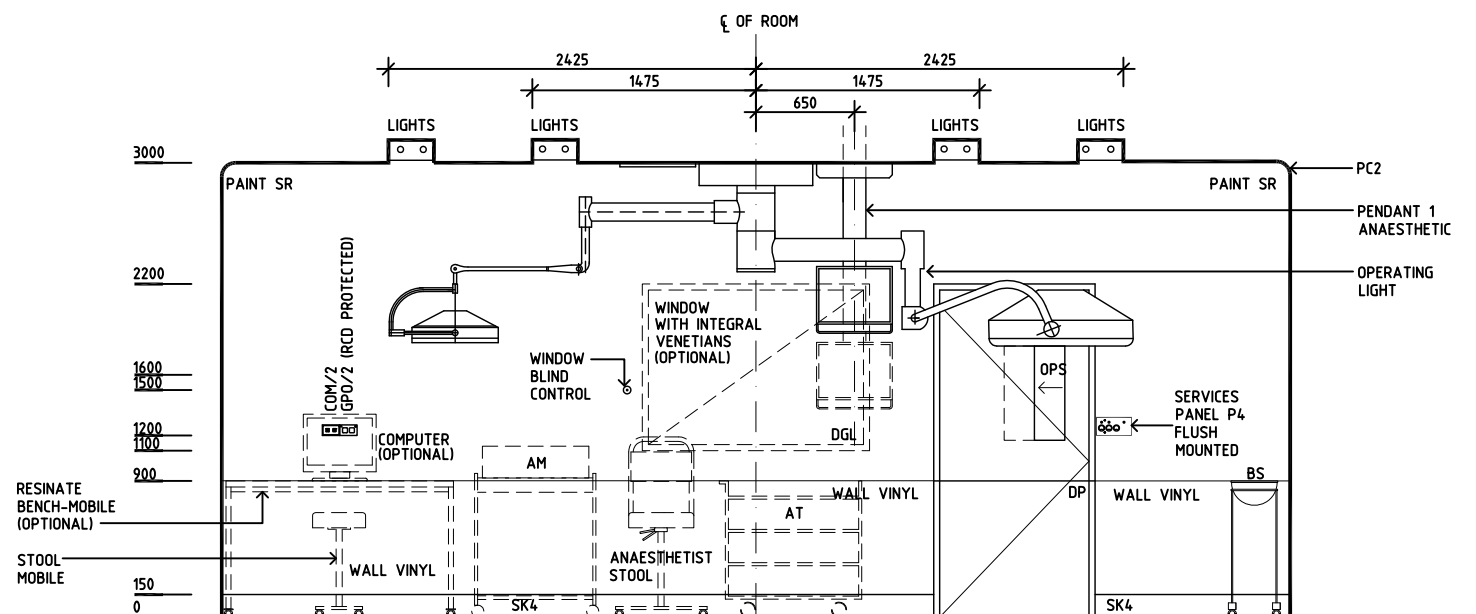
- COM/2
- GPO/1 X 4
- GPO/1 EP X 4
- RCD
- OXYGEN x 2
- NITROUS OXIDE x 1
- MEDICAL AIR x 1
- SUCTION X 2
- SCAVENGE x 1
- TOOL AIR X 1

PENDANT 2 SURGICAL

- COM/2
- GPO/1 X 4
- GPO/1 EP X 4
- RCD
- OXYGEN x 2
- NITROUS OXIDE x 1
- MEDICAL AIR x 1
- SUCTION X 2
- SCAVENGE x 1
- TOOL AIR X 1

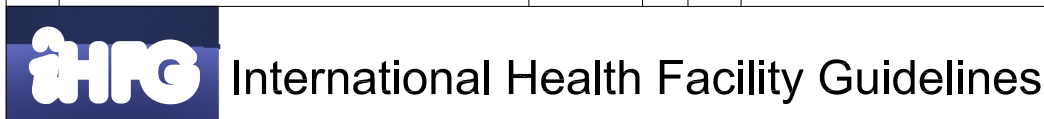


PLAN



ELEVATION 1

| REV | DESCRIPTION | DATE | BY | REV | DESCRIPTION | DATE | BY | REV | DESCRIPTION | DATE | BY |
|-----|------------------|----------|----|-----|------------------|----------|----|-----|-------------|------|----|
| 1 | FIRST ISSUE | 24.10.10 | LL | 4 | GENERAL REVISION | 26.10.15 | PJ | | | | |
| 2 | GENERAL REVISION | 30.08.11 | SD | 5 | RCP REVISED | 3.11.15 | PJ | | | | |
| 3 | GENERAL REVISION | 31.10.12 | CT | | | | | | | | |



International Health Facility Guidelines at:
www.healthdesign.com.au/iHFG
 Editable version of Standard Components on
 Health Facility Briefing System (HFBS) at:
www.healthdesign.com.au
 ©TAHPI

| DESIGNED | APPROVED | DATE | SCALE(S) | SHEET |
|---------------|----------|------------------|------------|--------|
| CC | DB | 24.10.10 | 1:50 in A3 | 1 of 3 |
| CAD FILE NAME | | PAPER DRAWING ID | ISSUE | |
| ORGN-I | | ORGN-Ia | 3 | |

iHFG Standard Components

Room Layout Sheet

Room Name **Operating Room - General**

RLS Room Code **ORGN-I**

RDS Room Code **ORGN-I**

- AM ANAESTHETIC MACHINE
- AT ANAESTHETIC TROLLEY
- BS BOWL STAND
- COM/2 COMMUNICATION OUTLET - DOUBLE
- DIA DIATHERMY
- DGL DOUBLE GLAZED WITH INTEGRAL VENETIAN BLINDS
- DDG DISPENSER - DISPOSABLE GLOVE
- DP DOOR AND FRAME PROTECTION
- EPJ EQUIPOTENTIAL JUNCTION BOX
- GPO/1 GENERAL POWER OUTLET - SINGLE
- GPO/1 EP EMERGENCY POWER - SINGLE
- GPO/2 GENERAL POWER OUTLET - DOUBLE
- GPO/C GENERAL POWER OUTLET - CLEANER'S
- GT GOWNING TROLLEY
- IV INTRAVENOUS STAND
- IT INSTRUMENT TROLLEY
- KB KICK BUCKET
- MT MAYO TABLE
- OPS OBSERVATION PANEL WITH SLIDING PANEL
- PC2 PLASTERBOARD CORNICE, FLUSH COVERED
- RA RETURN AIR
- RCD RESIDUAL CURRENT DEVICE
- SK4 FLOOR VINYL COVERED SKIRTING
- SR SCRUB RESISTANT
- ST STOOL
- V1 VINYL FLOORING, STANDARD SLIP RESISTANT
- WB WHITEBOARD

- SERVICES PANEL P1
- GPO/1 EP X 3
 - RCD
 - SURGICAL TOOL AIR CONTROL PANEL
 - TOURNIQUET AIR & CONTROL PANEL
 - GAS ALARM MONITOR
 - EPJ PANEL

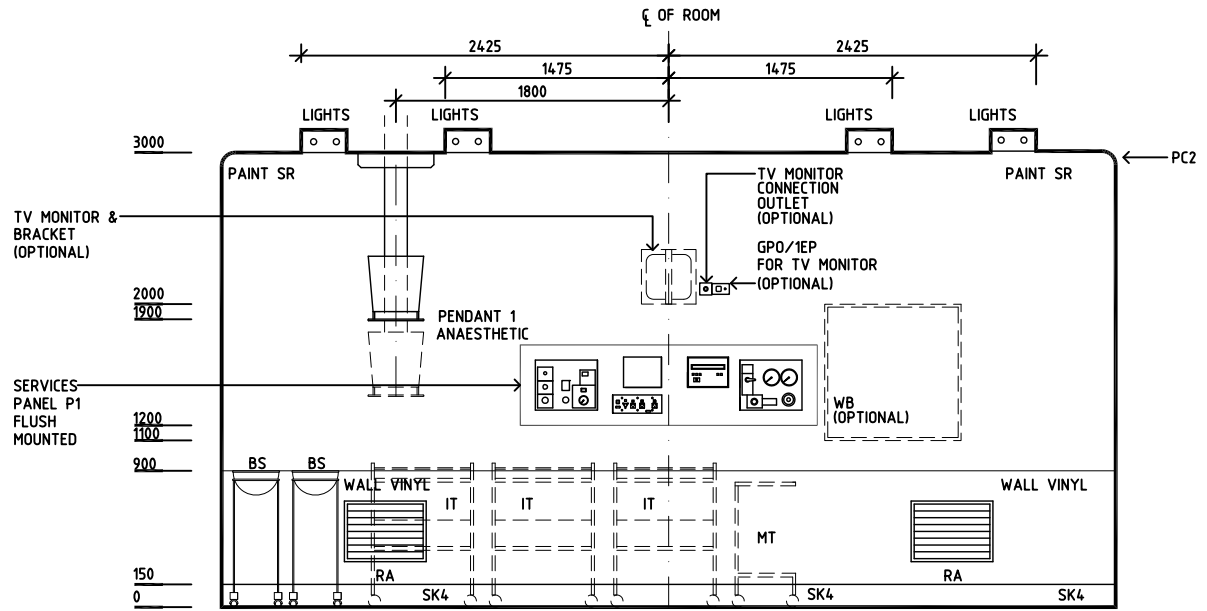
- SERVICES PANEL P2
- CLOCKS CONTROLS
 - GPO/1 X 2
 - RCD
 - LIGHT SWITCHES
 - OPERATING LIGHT CONTROLS

- SERVICES PANEL P3
- GPO/1 X 1
 - GPO 20AMP (OPTIONAL)
 - RCD

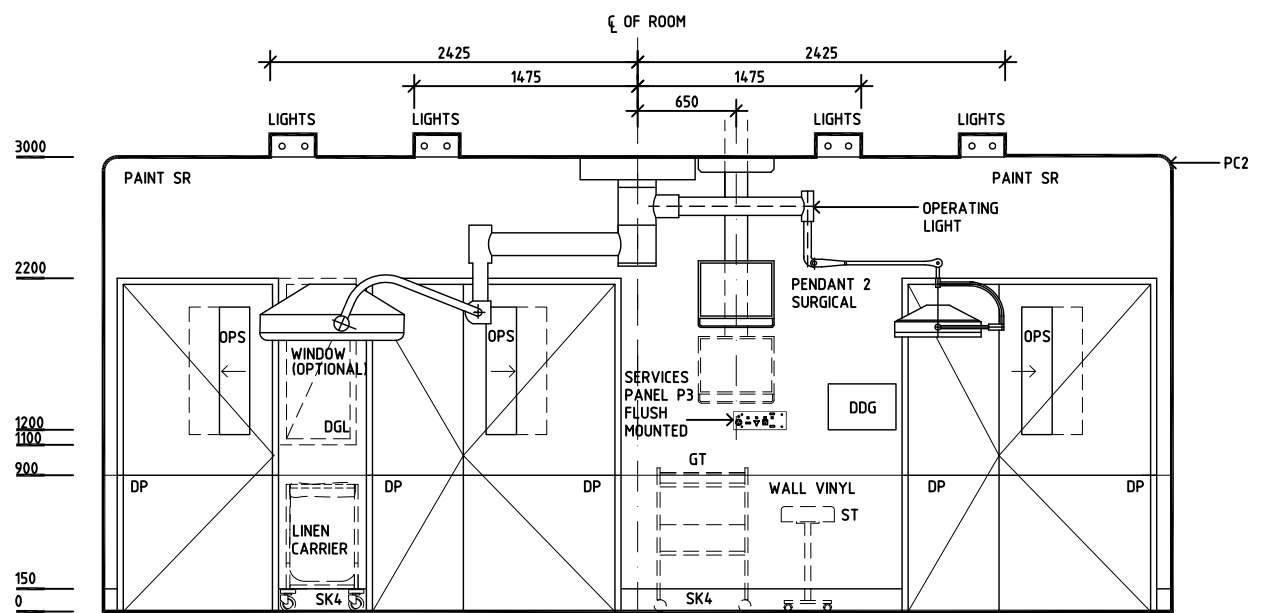
- SERVICES PANEL P4
- NURSE/STAFF ASSIST CALL
 - PORTER CALL (OPTIONAL)
 - EMERGENCY CALL
 - LASER-IN-USE INDICATOR

- PENDANT 1 ANAESTHETIC
- COM/2
 - GPO/1 X 4
 - GPO/1 EP X 4
 - RCD
 - OXYGEN x 2
 - NITROUS OXIDE x 1
 - MEDICAL AIR x 1
 - SUCTION X 2
 - SCAVENGE x 1
 - TOOL AIR X 1

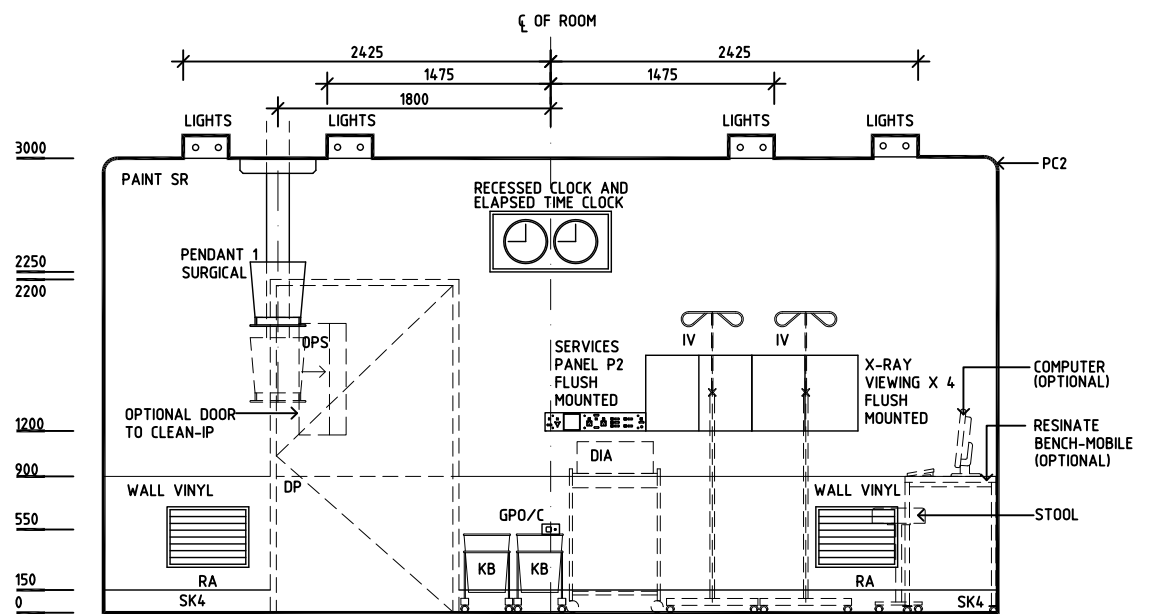
- PENDANT 2 SURGICAL
- COM/2
 - GPO/1 X 4
 - GPO/1 EP X 4
 - RCD
 - OXYGEN x 2
 - NITROUS OXIDE x 1
 - MEDICAL AIR x 1
 - SUCTION X 2
 - SCAVENGE x 1
 - TOOL AIR X 1



ELEVATION 2

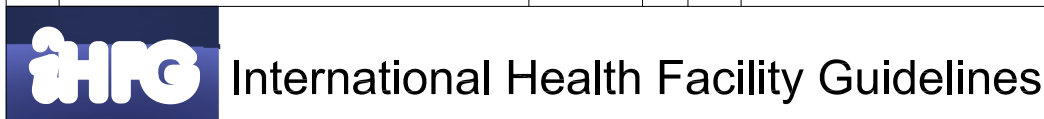


ELEVATION 3



ELEVATION 4

| REV | DESCRIPTION | DATE | BY | REV | DESCRIPTION | DATE | BY | REV | DESCRIPTION | DATE | BY |
|-----|------------------|----------|----|-----|------------------|----------|----|-----|-------------|------|----|
| 1 | FIRST ISSUE | 24.10.10 | LL | 4 | GENERAL REVISION | 26.10.15 | PJ | | | | |
| 2 | GENERAL REVISION | 30.08.11 | SD | 5 | RCP REVISED | 3.11.15 | PJ | | | | |
| 3 | GENERAL REVISION | 31.10.12 | CT | | | | | | | | |



International Health Facility Guidelines at:
www.healthdesign.com.au/iHFG
 Editable version of Standard Components on
 Health Facility Briefing System (HFBS) at:
www.healthdesign.com.au
 ©TAHPI

| DESIGNED | APPROVED | DATE | SCALE(S) | SHEET |
|---------------|----------|------------------|------------|--------|
| CC | DB | 24.10.10 | 1:50 in A3 | 2 of 3 |
| CAD FILE NAME | | PAPER DRAWING ID | | ISSUE |
| ORGN-I | | ORGN-Ib | | 3 |

Room Name **Operating Room - General**

RLS Room Code **ORGN-I**

RDS Room Code **ORGN-I**

GENERAL NOTES:

THIS DRAWING TO BE READ IN CONJUNCTION WITH R.D.S. (ROOM DATA SHEETS) WHICH TAKES PRECEDENCE.

ALL SERVICES INDICATED ARE INDICATIVE AND SUBJECTED TO DETAILED PROJECT SPECIFIC ENGINEERING DESIGN.

CEILING LEGEND:

- PB PLASTERBOARD FLUSH SET CEILING, PAINT
- PC2 90mm. PLASTERBOARD CORNICE, FLUSH COVERED
- GRID LINE

| | |
|------|---------------------|
| PB | CEILING TYPE |
| 2700 | HEIGHT ABOVE F.F.L. |

ELECTRICAL LEGEND:

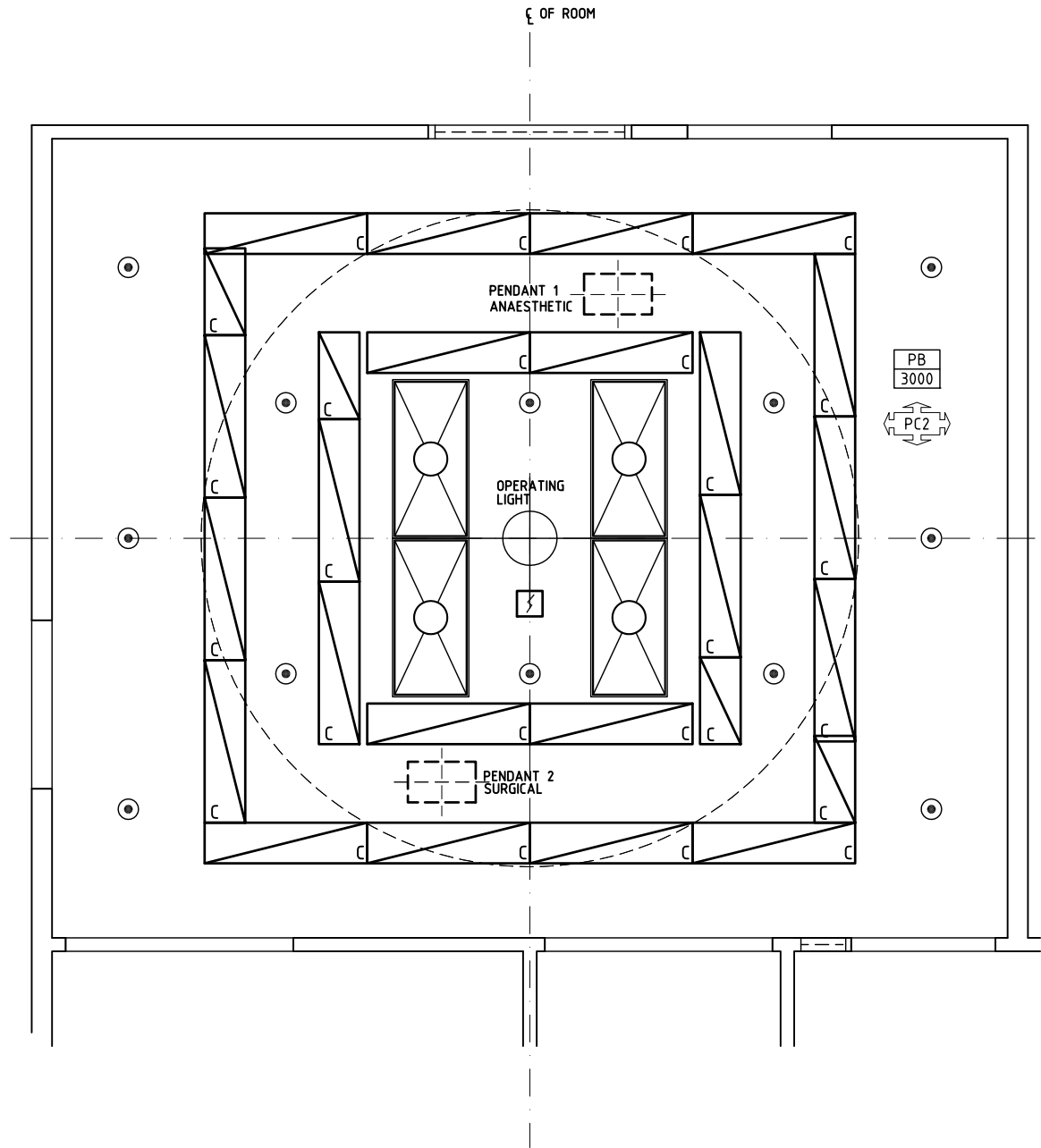
- FLUORESCENT DIFFUSED - RECESSED COLOUR CORRECTED - CYANOSIS

MECHANICAL LEGEND:

- FILTERED SUPPLY AIR

FIRE SERVICES LEGEND:

- SMOKE DETECTOR
- SPRINKLER



REFLECTED CEILING PLAN

| REV | DESCRIPTION | DATE | BY | REV | DESCRIPTION | DATE | BY | REV | DESCRIPTION | DATE | BY |
|-----|------------------|----------|----|-----|------------------|----------|----|-----|-------------|------|----|
| 2 | GENERAL REVISION | 30.08.11 | SD | 4 | GENERAL REVISION | 26.10.15 | PJ | | | | |
| 3 | GENERAL REVISION | 31.10.12 | CT | 5 | RCP REVISED | 3.11.15 | PJ | | | | |



The International Health Facility Guidelines recommends the use of HFBS “Health Facility Briefing System” to edit all room data sheet information for your project.

HFBS provides edit access to all iHFG standard rooms, and departments, and more than 100 custom report templates.

HFBS Health Facility Briefing System



Briefing Module

The Health Facility Briefing System (HFBS) has numerous modules available via annual subscription. It suits healthcare Architects, Medical Planners, Equipment Planners Project Managers and Health Authorities.

Use the HFBS Briefing Module to quickly drag in health facility departments or pre-configured room templates from the iHFG standard, edit the room features such as finishes, furniture, fittings, fixtures, medical equipment, engineering services. The system can print or download as PDF more than 100 custom reports including room data sheets, schedules, and more...

To learn more about the HFBS web-based Healthcare Briefing and Design Software and to obtain editable versions of the “Standard Components” including Room Data Sheets (RDS) and Room Layout Sheets (RLS) offered on the iHFG website, signup for HFBS using the link below.

Get Started Now:
hfbs.healthdesign.com.au

- ✓ iHFG Room Data Sheets and Departments are instantly editable in the HFBS software available online.
- ✓ You can access hundreds of report templates to print your iHFG room data in HFBS.
- ✓ HFBS has a onetime free 3 day trial available to all new users.

Get Started Now:
hfbs.healthdesign.com.au



HFBS

Health Facility Briefing System

hfbsinfo.com | techsupport@healthdesign.com.au